



## Vert-X 37 - 24V / 4 - 20mA

### Applications

- Agricultural machines
- Construction machines
- Forest machines
- Special purpose vehicles

### Features general

- Robust design, sealed stainless steel housing
- Contactless measuring method
- Long life
- High accuracy of measurement
- Applications under adverse ambient conditions possible (humidity, dampness, dust, vibrations etc.)
- Full resolution and accuracy at programmed electrical angle

### Features MH-C

- Linearity of  $\pm 0.3\%$
- Resolution of 12bit
- Full redundancy possible
- Lower price than MH-C2

### Features MH-C2

- Linearity of  $\pm 0.1\%$
- Resolution of 14bit
- Index point(s), sense of rotation and angle settable resp. programmable by customer (optional)

Errors and omissions excepted. Subject to change without notice. / State: 28.09.10

Contelec AG  
 Portstrasse 38  
 CH-2503 Biel/Bienne  
 Phone +41 (0)32 3665600  
 Telefax +41 (0)32 3665604  
 sales@contelec.ch

**CONTELEC**  
 A company of the Siedle-Group

Sensor principle		MH-C	MH-C2
<b>Electrical data</b>			
Measuring range	°	0 ... 360	0 ... 360
Indep. linearity	% of meas. range	$\pm 0.3$	$\pm 0.1$
Max. hysteresis	°	0.1	0.1
Resolution	bit	12	14
Max. repeatability	°	0.1	0.1
Sample rate fast mode	kHz	(5)	(2)
Sample rate slow mode	kHz	1.66	0.5
System propagation delay fast mode	$\mu\text{s}$	(800)	(800)
System propagation delay slow mode	$\mu\text{s}$	4600	2500
Max. temperature coefficient of the output signal	ppm/°K	100	100
MTTFd / MTBF	years	185 / 185	147 / 147
Power supply voltage	VDC	16 ... 35	16 ... 35
Current consumption without load (typ.) fast mode	mA	(19)	(20)
Current consumption without load (typ.) slow mode	mA	14	15
Min. ohmic load at output	kOhm	0 ... 0.5	0 ... 0.5
Max. capacitive load at output	nF	100	100
Reverse polarity protection of power supply		yes	yes
Electrical connection (s = shielded)		Cable 3pole, s	Cable 3pole, s
Cross section of single wires	mm <sup>2</sup>	0.56 (AWG20)	0.56 (AWG20)
Redundancy feasible		yes	no
Electrical connection redundant (s = shielded)		Cable 6pole, s	-
Cross section of single wires redundant	mm <sup>2</sup>	0.56 (AWG20)	-
<b>Mechanical data</b>			
Mechanical range	°	360 (continuous)	360 (continuous)
Protection class		IP54 / IP68	IP54 / IP68
Max. starting torque at specified protection class	Ncm	0.5 / 6	0.5 / 6
Max. rotating speed	rpm	3000	3000
Min. life	movements	360 Mio.	360 Mio.
Max. permitted axial shaft load	N	250	250
Max. permitted radial shaft load	N	100	100
Operating & storage temperature	°C	-40 ... +85	-40 ... +85
IEC 68-2-6 Vibration (Amax = 0.75mm, f = 5 ... 2000 Hz)	g	20	20
IEC 68-2-27 Shock	g	50	50
<b>Standards</b>			
EN 55022 class B, Emission radiated (30... 230 MHz)	dB( $\mu\text{V}/\text{m}$ )	max. 30	max. 30
EN 55022 class B, Emission radiated (230...1000MHz)	dB( $\mu\text{V}/\text{m}$ )	max. 37	max. 37
EN 61000-4-2, ESD (contact discharge / air discharge)	kV	$\pm 4 / \pm 8$	$\pm 4 / \pm 8$
EN 61000-4-3, Immision HF radiated (80... 1000 MHz)	V/m	30	30
EN 61000-4-4, Burst (on all lines)	kV	$\pm 1$	$\pm 1$
EN 61000-4-5, Surge (lines to ground)	kV	$\pm 1$	$\pm 1$
EN 61000-4-6, Immision HF conducted (0.15...80MHz)	Vemk	10	10
EN 61000-4-8, Immision magnetic field (50Hz)	A/m	30	30
IEC 60393-1 Insulation resistance (500VDC, 1bar, 2s)	GOhm	20	20
IEC 60393-1 Dielectric strength (VAC, 50Hz, 1min, 1bar)	kV	1	1



**Vert-X 37 - 24V / 4 - 20mA**  
**Ordering code**

**\* Switch outputs**  
 Please define number (max. 127), position and width of the pulses.

Output characteristics		Output signal		Power supply voltage		Electrical connection		Length of cable	
Positive gradient CW	Standard	4mA ... 20mA	Standard	24VDC	Standard	4	Standard	02	Standard
Positive gradient CCW	Optional					6	Optional	06	Optional
Redundant, positive gradient CW	Optional					9	Optional	10	Optional
Redundant, positive gradient CCW	Optional							99	Optional
Redundant, crossed signal curves	Optional								Special length
Positive gradient CW with 1 switch output*	Optional								
Positive gradient CCW with 1 switch output*	Optional								
Positive gradient CW with 2 switch outputs*	Optional								
Positive gradient CCW with 2 switch outputs*	Optional								
Sense of rotation settable	Optional								
Zero point & sense of rotation settable	Optional								
Middle point & sense of rotation settable	Optional								
Start + end point & sense of rotation settable	Optional								
Programmable with Vert-X EasyAdapt	Optional								

Electrical angle		Sensor principle	
36	Standard	7	MH-C
xx	Optional	8	MH-C2
99	Optional		

Mechanical version	
3722	Standard
3762	Standard
3799	Optional

Vert-X	3	7	2	2	7	3	6	1	5	1	4	0	2
--------	---	---	---	---	---	---	---	---	---	---	---	---	---

	MH-C	MH-C2
Custom shaft design	X	X
Custom modification of the housing	X	X
Custom cable	X	X
Sample rate in fast mode	X	X
Switch functions TTL (max. 2)	X	X
Special characteristic curve	-	X
Special electrical angle within 30° to 360° (ex factory)	X	X
Electrical angle programmable (Software)	-	X
Start & end point settable (Additional wires)	-	X
Sense of rotation CW/CCW settable / programmable (Additional wires or Software)	-	X
Index point settable / programmable (Additional wires or Software)	-	X

**Options (on request)**

Errors and omissions excepted. Subject to change without notice. / State: 28.09.10

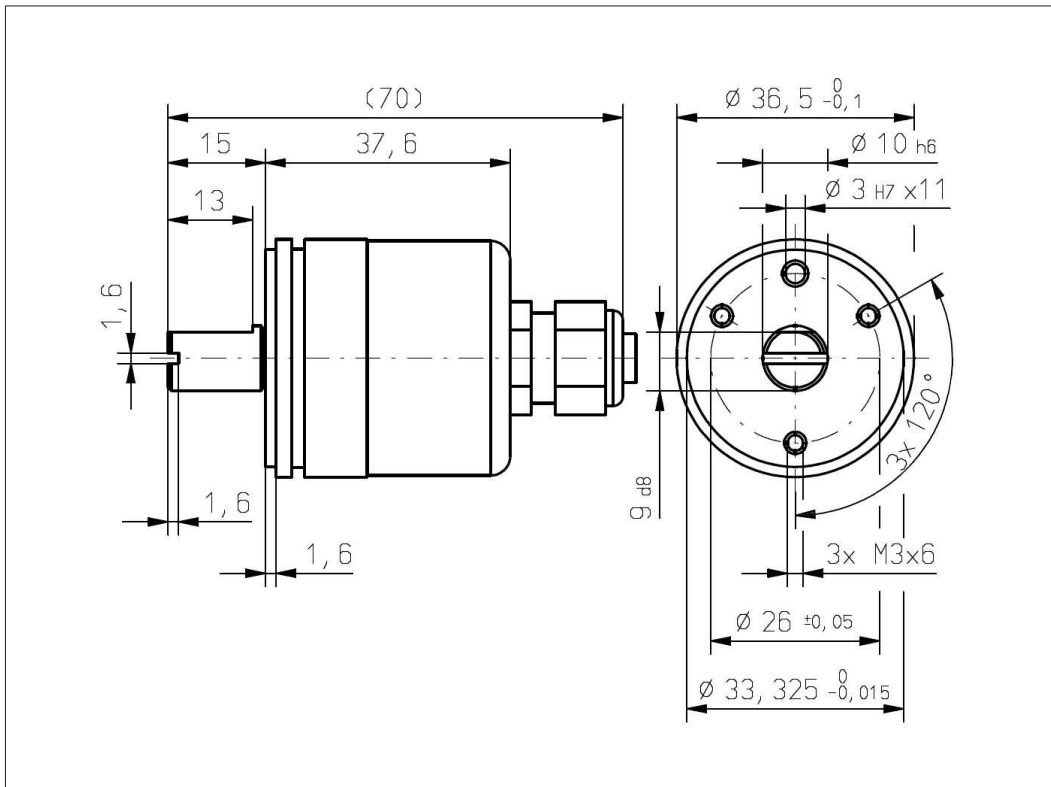
Contelec AG  
 Portstrasse 38  
 CH-2503 Biel/Bienne  
 Phone +41 (0)32 3665600  
 Telefax +41 (0)32 3665604  
 sales@contelec.ch



### Vert-X 37

#### Accessoires (incl.)

- 3x Fixation clamp
- 3x Slotted cylinder head screw M3x8



Errors and omissions excepted. Subject to change without notice. / State: 28.09.10

Contelec AG  
 Portstrasse 38  
 CH-2503 Biel/Bienne  
 Phone +41 (0)32 3665600  
 Telefax +41 (0)32 3665604  
 sales@contelec.ch

**CONTELEC**  
 A company of the Siedle-Group